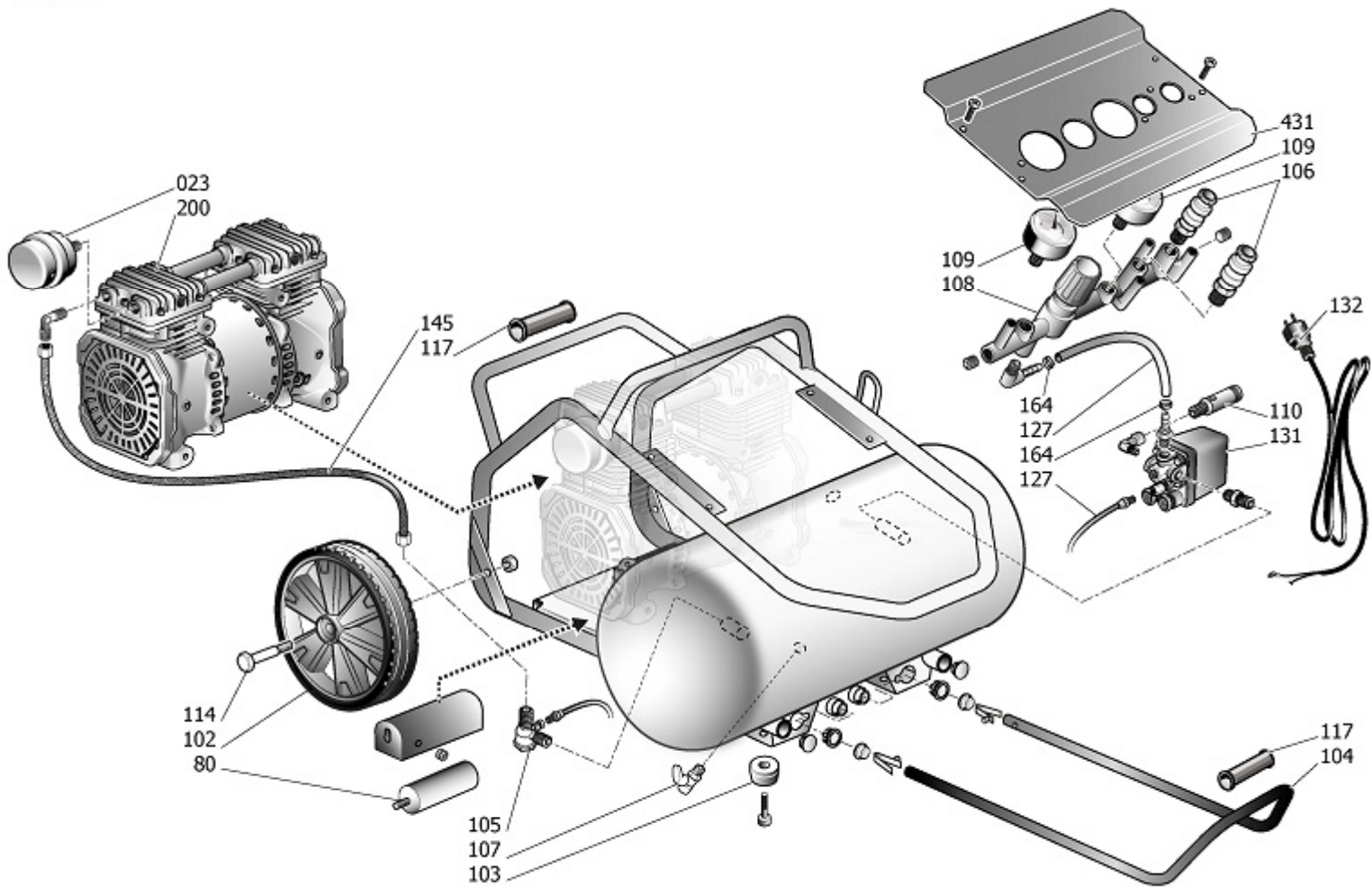


BB2R2



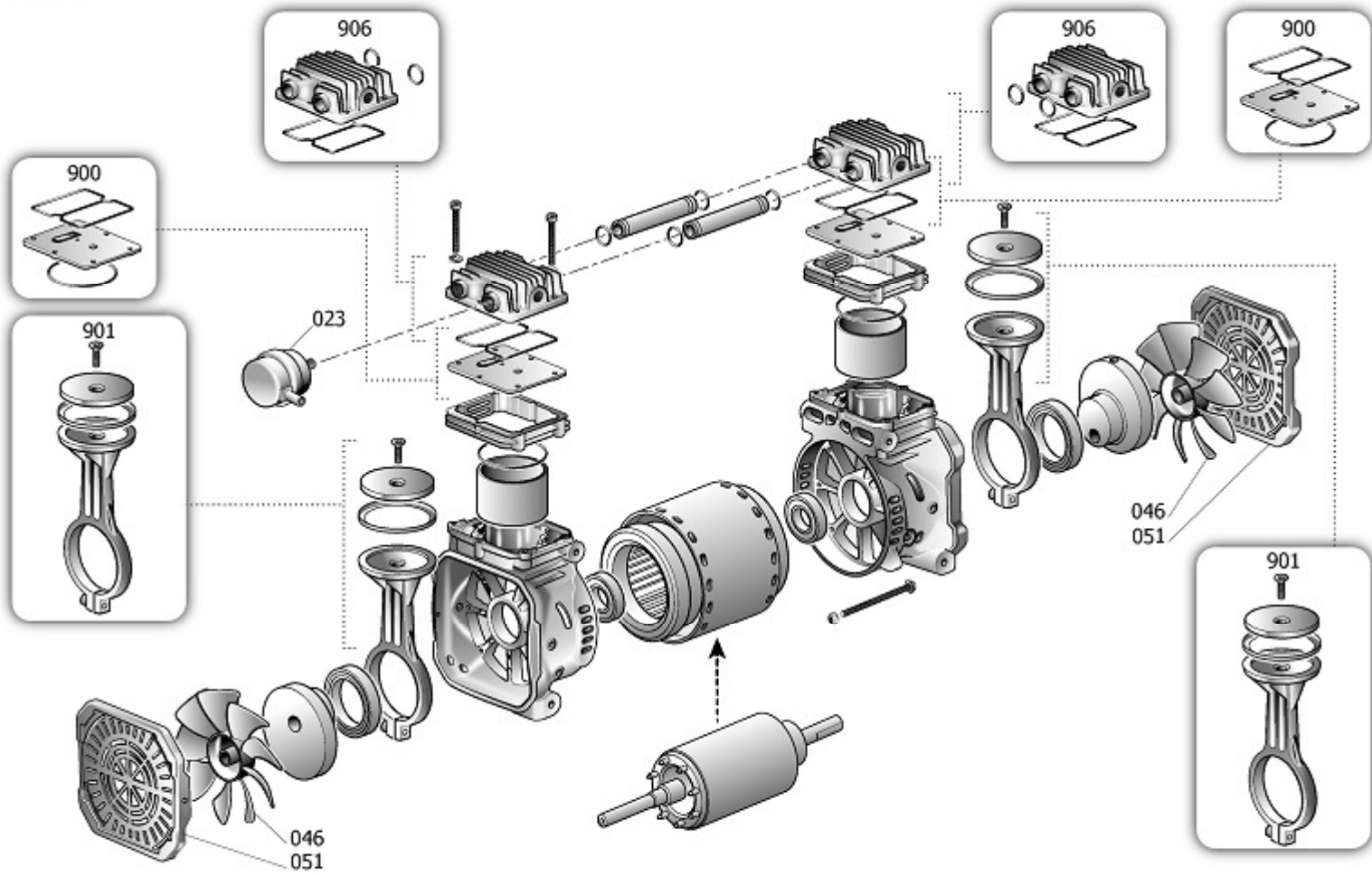


8216080NUA

SILTEK PRO 15 T

Pos	Component	MU	Multiplier
80	9067057	CONDENSER	PZ 1,0
102	9042077	WHEEL	PZ 2,0
103	B_SST108	PIVOTING WHEEL/FOOT	PZ 2,0
104	9083742021	GRIP	PZ 1,0
105	9048142	CHECK VALVE	PZ 1,0
106	9412204	LINE COCK	PZ 2,0
107	9047100	CONDENSATE DRAIN COCK	PZ 1,0
108	9050778	PRESSURE REDUCER	PZ 1,0
109	9052278	PRESSURE GAUGE	PZ 2,0
110	9049348	RELIEF VALVE	PZ 1,0
112	9417792	NIPPLE/ELBOW	PZ 1,0
114	9011063	WHEEL SPINDLE	PZ 2,0
116	9038352	PLUG	PZ 4,0
117	9038599	KNOB	PZ 2,0
127	9270046	RILSAN PIPE 4/6 BLK IT PA12_LC	MT 0,2
127	9270051	HOSE .375 ID ROLL BLK (FC)_LC	MT 0,2
131	9063084ATL102	COMPLETE PRESSURE SWITCH	PZ 1,0
132	9065847	POWER CABLE	PZ 1,0
138	B_A20009	CLAMP	PZ 2,0
145	9043888	DELIVERY PIPE	PZ 1,0
164	9050592	ELBOW 1/4" MF FG.92 ROHS	PZ 1,0
200	B2A1000	BARE PUMP	PZ 1,0
431	9083744021	CONTROL PANEL	PZ 1,0

AB2K2





B2A1000

BARE PUMP

Pos	Component	MU	Multiplier
1	B260502	CASING	PZ 1,0
1	B260503	CASING	PZ 1,0
2	B230300	CYLINDER	PZ 2,0
23	B280101	AIR FILTER ASSEMBLY	PZ 1,0
24	9050771	MANIFOLD	PZ 2,0
30	9170134	BEARING 6908 2RS	PZ 2,0
30	9170139	BEARING 6203 RZ	PZ 2,0
45	9140161	SEEGER 14 UNI 7436 TH=1,0	PZ 2,0
46	9069317	FAN	PZ 1,0
46	9069318	FAN	PZ 1,0
47	9067760	ROTOR	PZ 1,0
48	9067759	WOUND STATOR	PZ 1,0
51	9069296	MOTOR FAN COVER	PZ 2,0
900	9434A68	MPK VALVE PLATE QUADRA Q2 990W	PZ 2,0
901	9434B84	MPK PIST-CONROD QUADRA Q2 990W	PZ 2,0
906	9434G68	MPK HEAD QUADRA Q2 990W (LF)	PZ 1,0
906	9434G69	MPK HEAD QUADRA Q2 990W (RG)	PZ 1,0